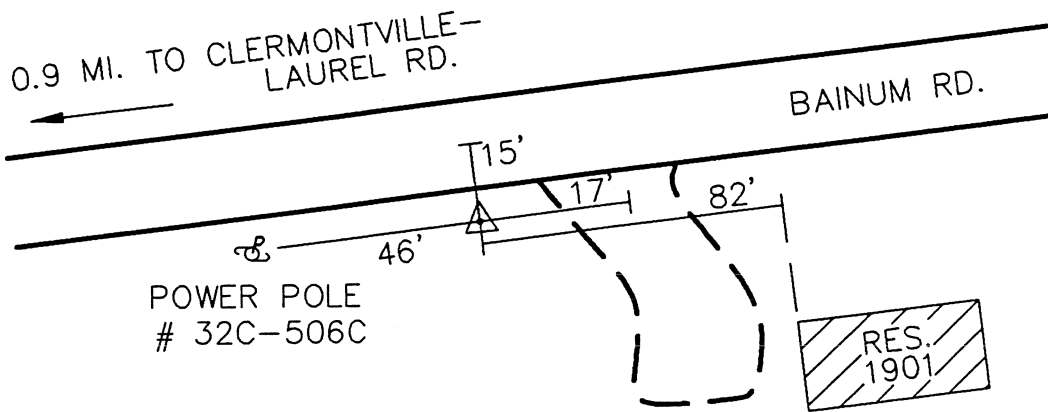




CLERMONT COUNTY ENGINEER  
CONTROL STATION DATA SHEET

Approximate Location: MONROE TOWNSHIP



N.T.S.

Azimuth: S 82° 48' 53" W to Station 237.